



System Specification

EPDM identification and sealing gaskets

Product code:	AH35
Frame width:	35 mm
Sash width:	35 mm
Wall thickness:	1.6 mm
Glass thickness:	6 to 20 mm
Appearance:	Flat and smooth from the outside and inside
Type of corner fixture:	Steel rebar
Thickness of glass:	6 to 24 mm





Sliding Systems

NG SLIDING
M S
DING SLIDING
SYSTEMS
SLIDING SLIDING SLIDING
SYSTEMS SYSTEMS
SLIDING 3 2 SLIDING
SLIDING SLIDING

SLIDING SYSTEMS
SLIDING SYSTEMS
SLIDING SYSTEMS
SLIDING SYSTEMS
SLIDING SYSTEMS
SLIDING SYSTEMS

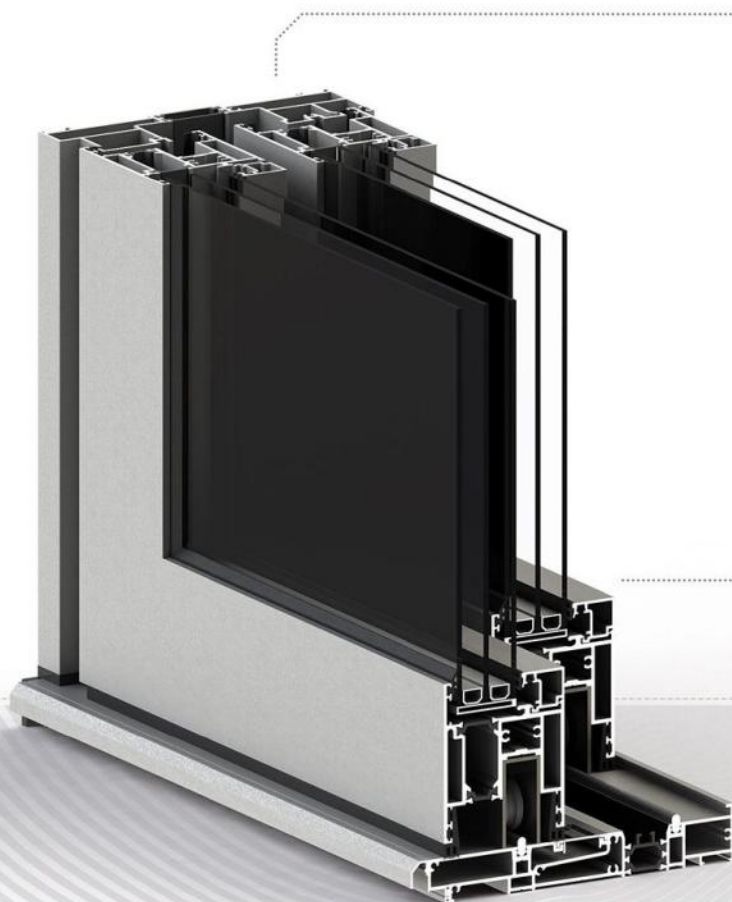
Sliding سیستم های کشویی Systems

فهرست سیستم کشویی / Index Sliding Systems

TS168 34	TS143 35	MTS143 36	TS115 37	MTS115 38	TS94 39	TS77 40	MTS77 41
AS90 42	AS74 43	AS60 44	AS60 45	MAS60 46	AS55 47		

New

33



TS168

Sliding Patio Door

Lift & Slide

Uf: 2.9 W(m2.k)

Thermal Break

System Specification

Possibility to install European fittings

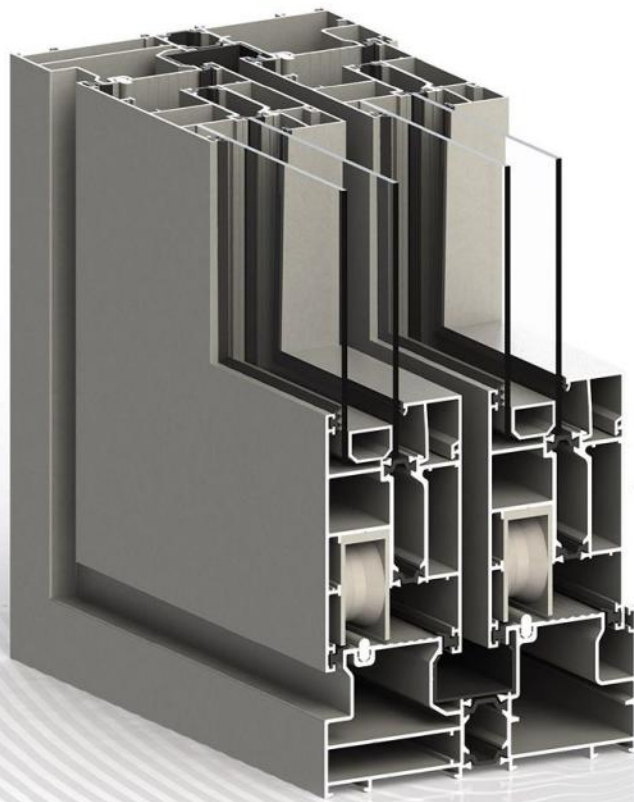
EPDM identification and sealing gaskets

Product code:	TS168
Frame width:	168 mm
Sash width:	70 mm
Wall thickness:	2 - 2.2 mm
Glass thickness:	28 to 52 mm
Polyamide size:	18 - 24 - 38 mm
Thermal conductivity:	Uf: 2.9 w/m2k
Appearance:	Flat and smooth from the outside and inside
Type of corner fixture:	Riveted
Possibility to install European fittings	fits Lift and slide 300- 400 kg

Type OF opening

lift and slide Short Frame Normal Opening Normal Sliding

70 kg on Sash 80 kg on Sash 100 kg on Sash



TS143

Sliding Door & Window

Lift & Slide

Uf: 3.2 W (m2.k)

Thermal Break

System Specification

Possibility to install European fittings

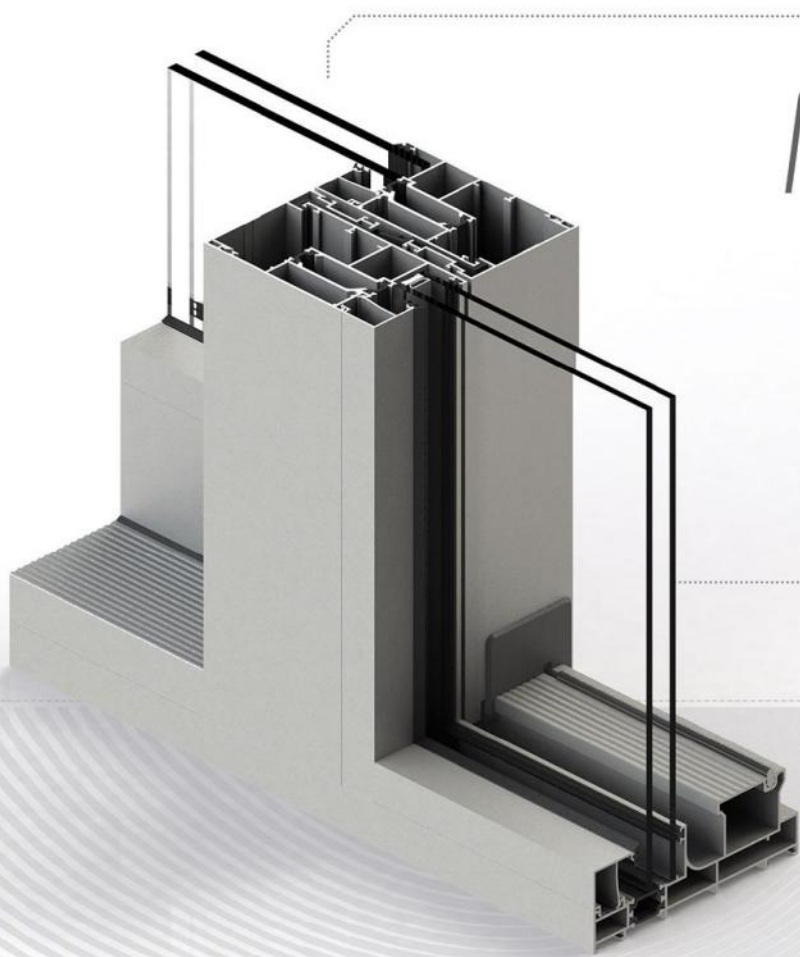
EPDM identification and sealing gaskets

Product code:	TS143
Frame width:	143 mm
Sash width:	70 mm
Wall thickness:	2 - 2.2 mm
Glass thickness:	28 to 52 mm
Polyamide size:	18 - 24 - 38 mm
Thermal conductivity:	Uf: 3.2w/m2k
Appearance:	Flat and smooth from the outside and inside
Type of corner fixture:	Riveted
Possibility to install European fittings:	Lift and slide 300- 400 kg

Type OF opening
lift and slide
Short Frame
Normal Opening
Normal Sliding
70 kg on Sash
80 kg on Sash
100 kg on Sash

MTS 143

Sliding Door & Window
Thermal Break Monorail



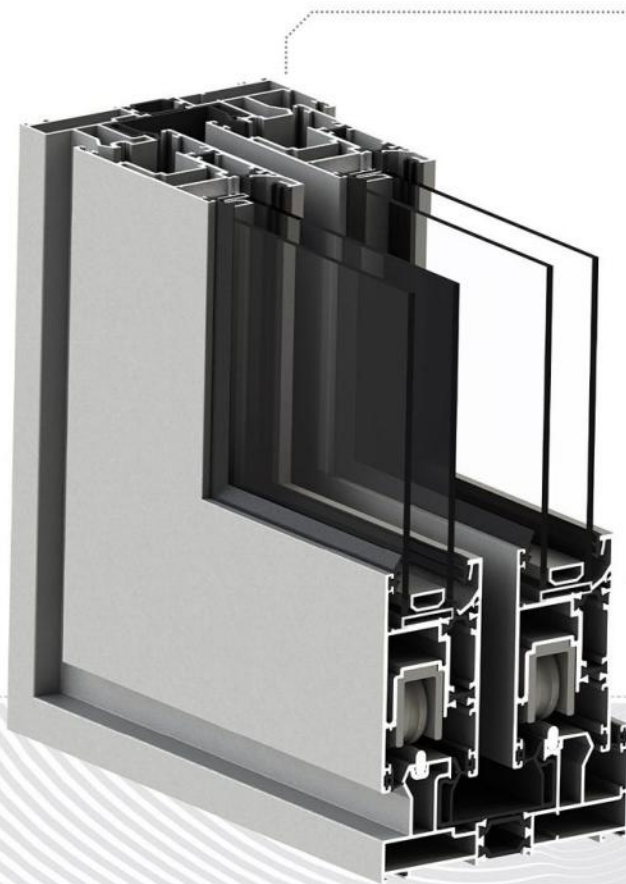
Thermal Break

System Specification

Possibility to install European fittings **EPDM identification and sealing gaskets**

Product code:	MTS143
Frame width:	137 mm
Sash width:	62.5 mm
Wall thickness:	1.5 - 1.7 mm
Glass thickness:	14 to 49 mm
Polyamide size:	14.8 - 18 - 20 mm
Appearance:	Flat and smooth from the outside and inside
Type of corner fixture:	Punch punches and Allen punches in the frame
Possibility to install European fittings:	Lift and slide 300 kg

Type OF opening
lift and slide
Short Frame
Normal Opening
Normal Sliding
70 kg on Sash
80 kg on Sash
100 kg on Sash



TS115

Sliding Window
 Thermal Break Normal
 Uf: 3.6 - 4.4 W(m2.k)

Thermal Break

System Specification

Possibility to install European fittings

EPDM identification and sealing gaskets

Product code:	TS115
Frame width:	115 mm
Sash width:	45 mm
Wall thickness:	1.5 - 1.7 mm
Glass thickness:	24 mm
Polyamide size:	12 - 16 - 24 mm
Thermal conductivity:	Uf: 3.6 - 4.4 w/m2k
Appearance:	Flat and smooth from the outside and inside
Type of corner fixture:	Punch punches and Allen punches in the frame
Possibility to install European fittings:	Lift and slide 200 kg

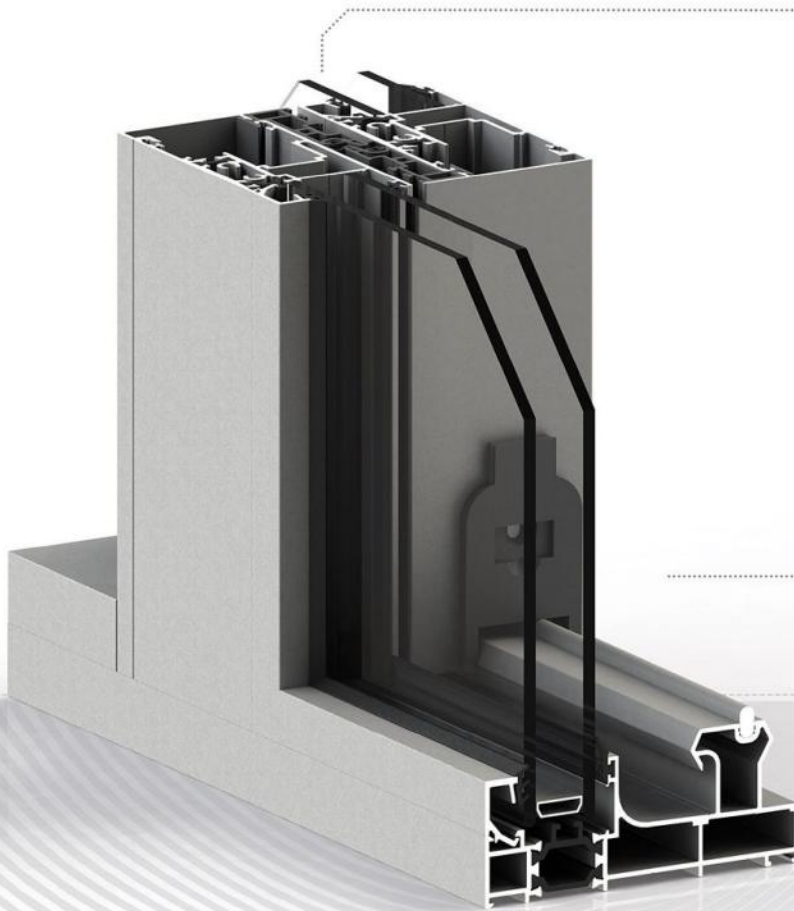
Type OF opening

lift and slide Short Frame Normal Opening Normal Sliding

70 kg on Sash 80 kg on Sash 100 kg on Sash

MTS115

Sliding Window
Thermal Break Monorail



Thermal Break

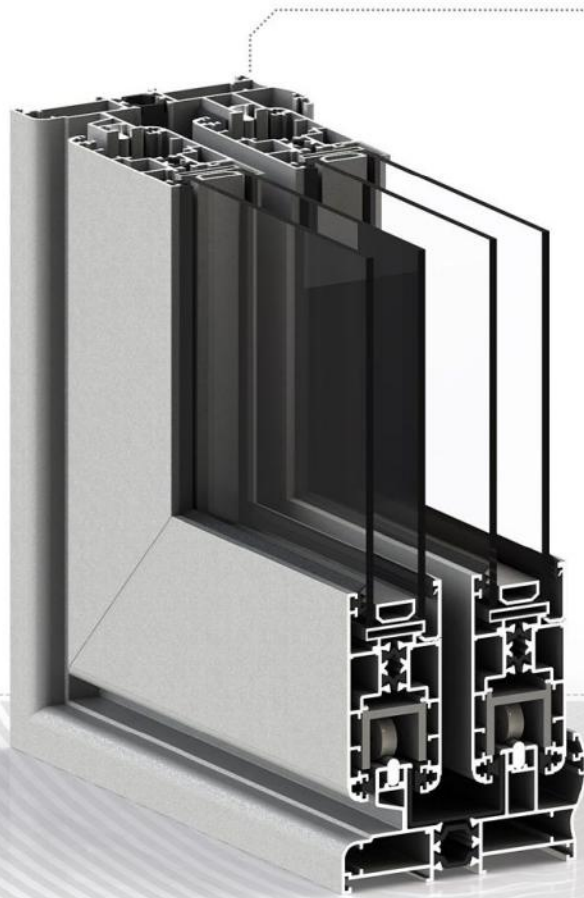
System Specification

Possibility to install European fittings

EPDM identification and sealing gaskets

Product code:	MTS115
Frame width:	106 mm
Sash width:	45 mm
Wall thickness:	1.5 - 1.7 mm
Glass thickness:	24 mm
Polyamide size:	12 - 16 - 24 mm
Appearance:	Flat and smooth from the outside and inside
Type of corner fixture:	Punch punches and Allen punches in the frame
Possibility to install European fittings:	Lift and slide 200 kg

Type OF opening
lift and slide
Short Frame
Normal Opening
Normal Sliding
70 kg on Sash
80 kg on Sash
100 kg on Sash



TS94

Sliding Window

Thermal Break

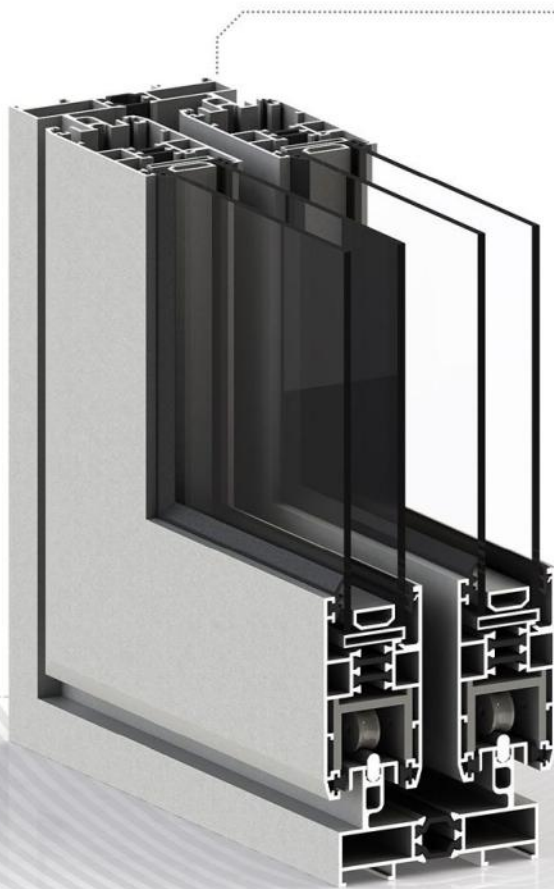
System Specification

Possibility to install European fittings

EPDM identification and sealing gaskets

Product code:	TS94
Frame width:	94 mm
Sash width:	38 mm
Wall thickness:	1.3 - 1.4 mm
Glass thickness:	18 - 24 mm
Polyamide size:	10 - 18 - 25 mm
Appearance:	Flat and smooth from the outside and inside - Curved and arched from the outside and inside
Type of corner fixture:	Riveted Corner and Corner with internal hex screw

Type OF opening
lift and slide
Short Frame
Normal Opening
Normal Sliding
70 kg on Sash
80 kg on Sash
100 kg on Sash



TS77

Sliding Window

Uf: 4.45 W(m2.k)

Thermal Break

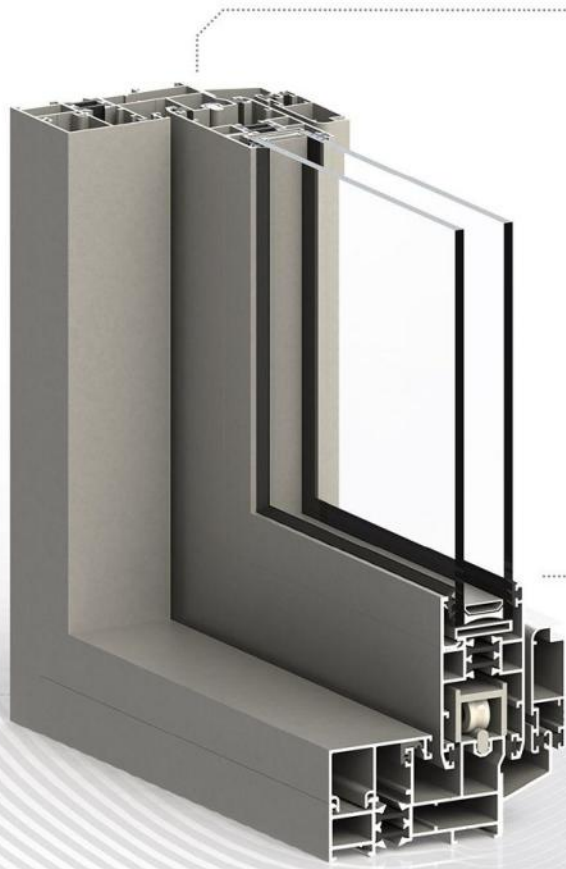
System Specification

Possibility to install European fittings

EPDM identification and sealing gaskets

Product code:	TS77
Frame width:	77 mm
Sash width:	38 mm
Wall thickness:	1.3 - 1.4 mm
Glass thickness:	18 - 24 mm
Polyamide size:	14.8 - 18 mm
Thermal conductivity:	Uf:4.45w/m2k
Appearance:	Flat and smooth from the outside and inside
Type of corner fixture:	Riveted Corner and Corner with internal hex screw

Type OF opening
lift and slide
Short Frame
Normal Opening
Normal Sliding
70 kg on Sash
80 kg on Sash
100 kg on Sash



MTS77

Sliding Door & Window
Thermal Break Monorail

Thermal Break

System Specification

Possibility to install European fittings **EPDM identification and sealing gaskets**

Product code:	MTS77
Frame width:	77 mm
Sash width:	38 mm
Wall thickness:	1.3 - 1.4 mm
Glass thickness:	24 mm
Polyamide size:	14.8 - 18 mm
Appearance:	Flat and smooth from the outside and inside
Type of corner fixture:	Riveted Corner and Corner with internal hex screw

Type OF opening
lift and slide
Short Frame
Normal Opening
Normal Sliding
70 kg on Sash
80 kg on Sash
100 kg on Sash



AS90

Sliding Window

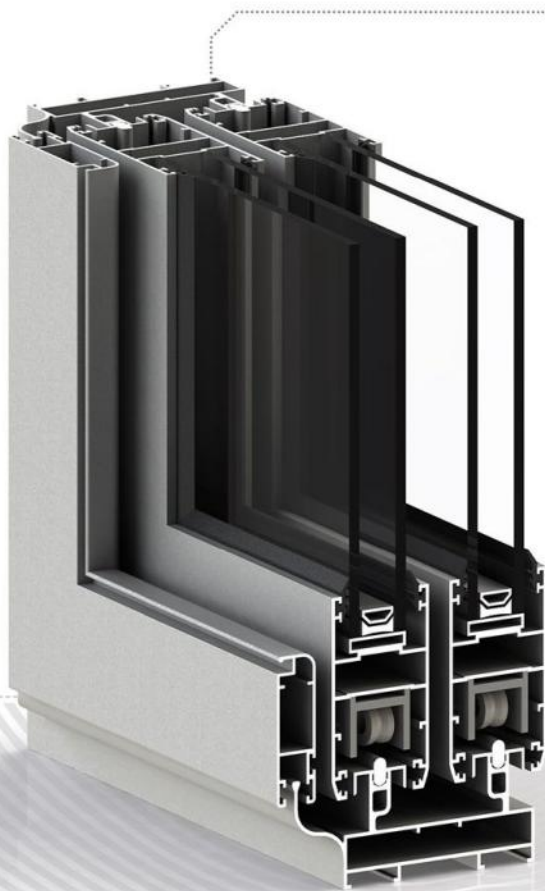
System Specification

Possibility to install European fittings

EPDM identification and sealing gaskets

Product code:	AS90
Frame width:	90 mm
Sash width:	38 mm
Wall thickness:	1.3 - 1.4 mm
Glass thickness:	18 mm
Appearance:	Curved and arched from the outside and inside
Type of corner fixture:	Oblique with internal hex screw

Type OF opening
lift and slide
Short Frame
Normal Opening
Normal Sliding
70 kg on Sash
80 kg on Sash
100 kg on Sash



AS74

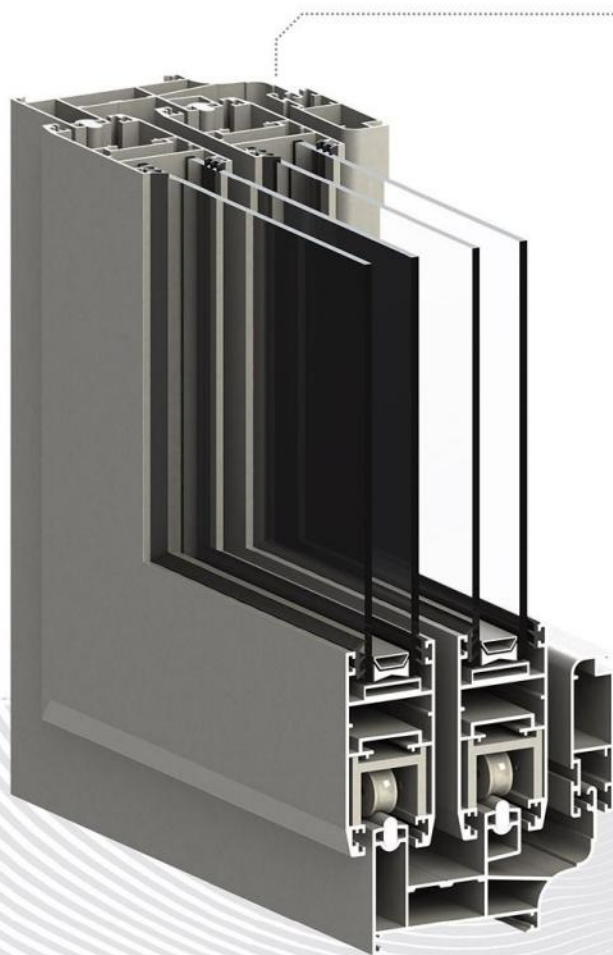
Sliding Window

System Specification

Possibility to install European fittings **EPDM identification and sealing gaskets**

Product code:	AS74
Frame width:	74 mm
Sash width:	38 mm
Wall thickness:	1.3 - 1.4 mm
Glass thickness:	24 mm
Appearance:	Flat and smooth from the outside and inside
Type of corner fixture:	Oblique with internal hex screw

Type OF opening
lift and slide
Short Frame
Normal Opening
Normal Sliding
70 kg on Sash
80 kg on Sash
100 kg on Sash



AS60

Sliding Window

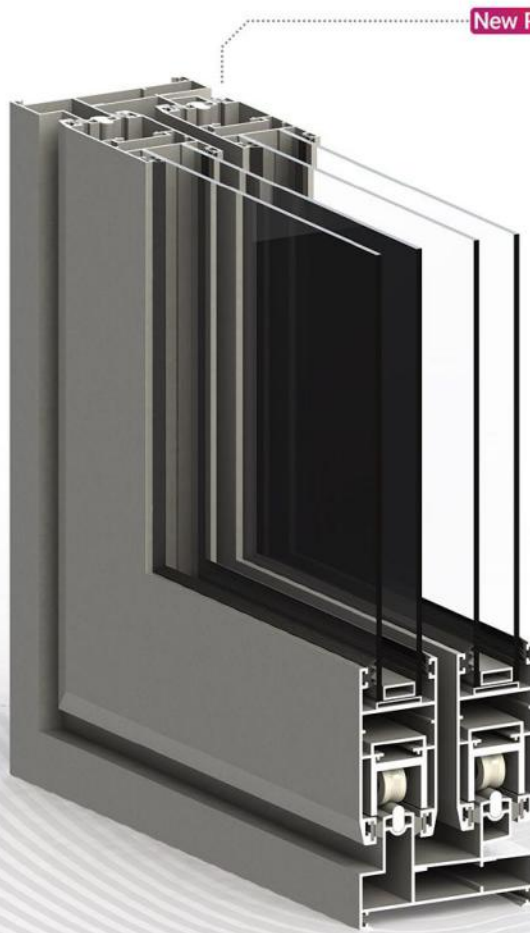
Uf: 7.2 W(m2.k)

System Specification

Possibility to install European fittings **EPDM identification and sealing gaskets**

Product code:	AS60
Frame width:	60 and 100 mm
Sash width:	32 mm
Wall thickness:	1.2 - 1.3 mm
Glass thickness:	18 mm
Thermal conductivity:	Uf:7.2w/m2k
Appearance:	Curved and arched from the outside and inside
Type of corner fixture:	Oblique with internal hex screw

Type OF opening
lift and slide
Short Frame
Normal Opening
Normal Sliding
70 kg on Sash
80 kg on Sash
100 kg on Sash



New Production

AS60

Sliding Window

New Frame

Uf: 7.2 W(m2.k)

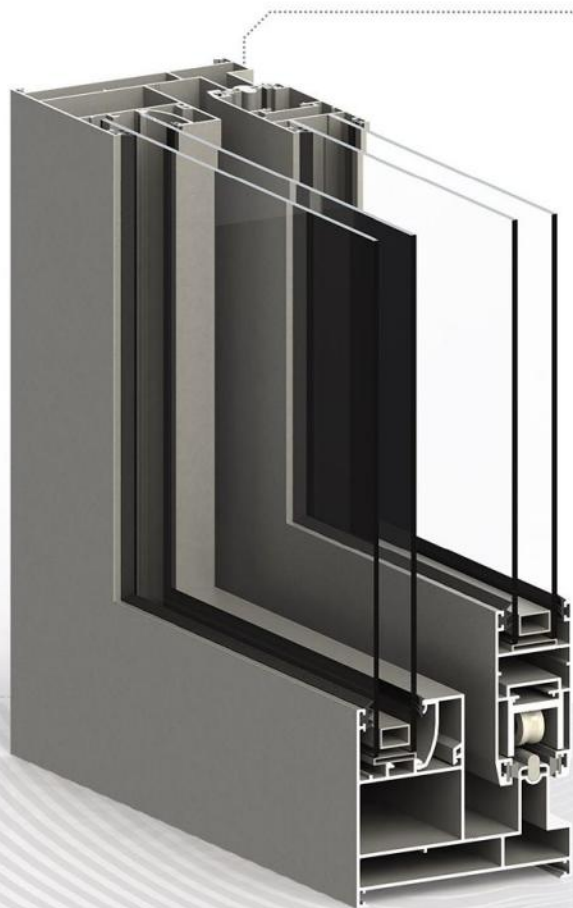
System Specification

Possibility to install European fittings

EPDM identification and sealing gaskets

Product code:	AS60
Frame width:	60 and 100 mm
Sash width:	32 mm
Wall thickness:	1.2 - 1.3 mm
Glass thickness:	18 mm
Thermal conductivity:	Uf:7.2w/m2k
Appearance:	Curved and arched from the outside and inside
Type of corner fixture:	Oblique with internal hex screw

Type OF opening
lift and slide
Short Frame
Normal Opening
Normal Sliding
70 kg on Sash
80 kg on Sash
100 kg on Sash



MAS60

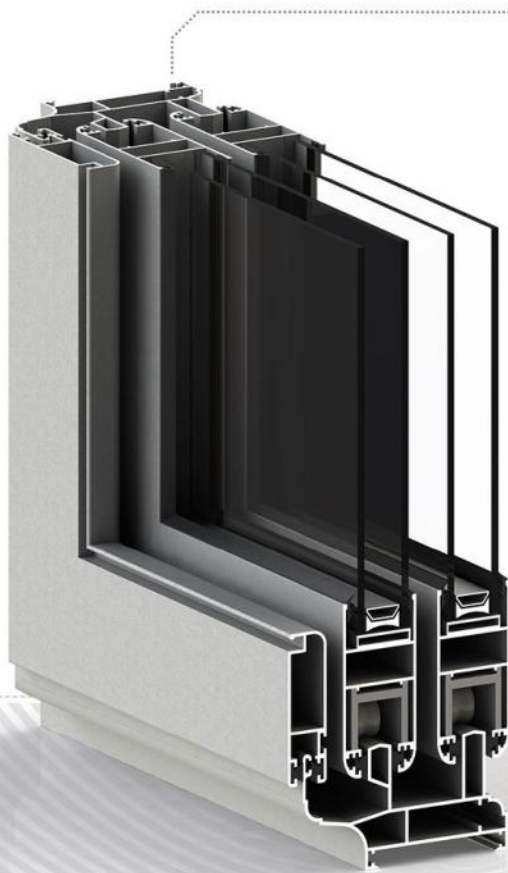
*Sliding Window
with 90mm Frame Profile*

System Specification

Possibility to install European fittings **EPDM identification and sealing gaskets**

Product code:	MAS60
Frame width:	90 mm
Sash width:	32 mm
Wall thickness:	1.2 - 1.3 mm
Glass thickness:	18 mm
Appearance:	Flat and smooth from the outside and inside
Type of corner fixture:	Oblique with internal hex screw

Type OF opening
lift and slide
Short Frame
Normal Opening
Normal Sliding
70 kg on Sash
80 kg on Sash
100 kg on Sash



AS55

Sliding Window

System Specification

Possibility to install European fittings **EPDM identification and sealing gaskets**

Product code:	AS55
Frame width:	55 mm
Sash width:	28 mm
Wall thickness:	1.3 - 1.2 mm
Glass thickness:	18 mm
Appearance:	Curved and arched from the outside and inside
Type of corner fixture:	Oblique with internal hex screw

Type OF opening
lift and slide
Short Frame
Normal Opening
Normal Sliding
70 kg on Sash
80 kg on Sash
100 kg on Sash



Folding

Door System

System Specification

EPDM identification and sealing gaskets

Frame width:	50 mm
Sash width:	50 mm
Wall thickness:	1.5 - 2.5 mm
Glass thickness:	6 to 32 mm
Polyamide size:	18 mm
Appearance:	Flat and smooth from the outside and inside
Type of corner fixture:	Riveted
Specifications:	Hidden accordion fitting



6063 -T4 Mechanical Analysis		
Physical & mechanical properties	Metric system	English system
Density	2.7 g/cc	0.0975 lb/in ³
Brinell hardness	60-65	60-65
Ultimate tensile strength	172 MPa	25000 psi
Tensile strength	89.6 MPa	13000 psi
Length increase at break point	22 %	22 %
Modulus of elasticity	68.9 GPa	10000 ksi
Poisson ratio	0.33	0.33
Machining	50 %	50 %
Shear modulus	25.8 GPa	3740 ksi
Shear strength	110 MPa	16000 psi
electrical resistance	3.3e-006 ohm-cm	3.3e-006 ohm-cm
F ° 68 line CTE	23.4 µm/m-°C	13 µin/in-°F
C °250 line CTE	25.6 µm/m-°C	14.2 µin/in-°F
Specific heat capacity	0.9 J/g-°C	0.215 BTU/lb-°F
Thermal conductivity	200 W/m-K	1390 BTU-in/hr-ft ² -°F
Melting point	616 - 654 °C	1140 – 1120 °F
Freezing line	616 °C	1140 °F
liquidus	654 °C	1210 °F
Annealing	413 °C	775 °F
Soluble temperature	521 °C	970 °F
Aging temperature	177 °C	350 °F

6063 -T4 Chemical analysis									
Aluminium	Copper	Chrome	Titanium	Zinc	Silicone	Magnesium	Iron	Mangans	Chemical Element
Balance	0.0-0.10	0.0-0.10	0.0-0.10	0.0-0.10	0.20-0.60	0.45 -0.90	0.0 -0.35	0.0-0.10	Percent

برآورد و محاسبات سیستم در و پنجره و سیستم کرتین وال با نرم افزار **Orgadata** مورد تایید می باشد.

Door and window as well as the Curtain wall systems estimation and calculation are approved in the **Orgadata** software.



Hinged Systems | سیستم های لولایی

16	Thermal Break Hinged Door & window	درب و پنجره لولایی ترمال بریک	TH90	New Product
17	Thermal Break Hidden Vent Hinged Door & Window	درب و پنجره لولایی لنگه مخفی ترمال بریک	TH78	
18	Thermal Break Hinged Door	درب لولایی ترمال بریک	TH75H	
19	Thermal Break Hinged window	پنجره لولایی ترمال بریک	TH75L	
20	Thermal Break Hidden Vent Hinged Door & Window	درب و پنجره لولایی لنگه مخفی ترمال بریک	TH68	
21	Thermal Break Hinged Door & window	درب و پنجره لولایی ترمال بریک	TH60	
22	Thermal Break Hinged Door & window	درب و پنجره لولایی ترمال بریک	FTH60	New Product
23	Hidden vent hinged window	پنجره لولایی لنگه مخفی	TH55L	
24	Thermal Break Hinged Door & window	درب و پنجره لولایی ترمال بریک	TH55	
25	Hinged Door	درب لولایی	AH74	
26	Hinged Door & Window	درب و پنجره لولایی نرمال تخت	AH60	New Product
27	Hinged Door	درب لولایی	AH59	
28	Hinged window	پنجره لولایی	AH56	
29	Monorail Thermal Break Sliding Window	پنجره لولایی	AH47	
30	Hinged Door & window	درب و پنجره لولایی	AH42	
31	Hinged Window Joint with Rebar Steel	درب پنجره لولایی نصب با میلگرد	AH35	

Sliding Systems | سیستم های کشویی

34	Thermal Break Sliding Patio Door	درب کشویی دفنی ترمال بریک کشویی	TS168	
35	Thermal Break Sliding Door & Window	درب و پنجره ترمال بریک کشویی	TS143	
36	Thermal Break Monorail Sliding Door & Window	درب و پنجره کشویی مونوریل ترمال بریک	MTS143	
37	Thermal Break Normal Sliding Window	پنجره کشویی معمولی ترمال بریک	TS115	
38	Thermal Break Monorail Sliding Door & Window	درب و پنجره کشویی مونوریل ترمال بریک	MTS115	
39	Thermal Break Sliding Window	پنجره ترمال بریک کشویی	TS94	
40	Thermal Break Sliding Window	پنجره ترمال بریک کشویی	TS77	
41	Monorail Thermal Break Sliding Window	پنجره مونوریل ترمال بریک کشویی	MTS77	
42	Sliding Window	پنجره کشویی	AS90	
43	Sliding Window	پنجره کشویی	AS74	
44	Sliding Window	پنجره کشویی	AS60	
45	Sliding Window	فریم جدید پنجره کشویی	AS60	New Product
46	Monorail Sliding Window	پنجره مونوریل کشویی	MAS60	
47	Sliding Window	پنجره کشویی	AS55	

سیستم های الحاقی | Additional Systems

50	Folding Door System	سیستم درب آکاردئونی	
51	Partition System	سیستم پارتیشن	
52	Glass Handrail System - two piece	سیستم نرده شیشه ای دو تکه	
53	Glass Handrail System - one piece	سیستم نرده شیشه ای یک تکه	
54	Side Fix Glass Support System	سیستم نرده شیشه ای نصب به بیرون سطح	
55	Outdoor Handrail Lighting	سیستم نرده شیشه ای چراغ دار	New Production
56	Glass Balustrade System	سیستم جام بالکنی	
57	Glass Balustrade System	سیستم جام بالکنی	New Production
58	Roll-up Door System	سیستم درب کرکره ای	
59	Grid System	سیستم توری	
60	Pelisse Grid System	سیستم توری پلیسه	
61	Sliding Fly Screen	سیستم توری متحرک	New Production
62	Pipe Aluminium Handrail System	سیستم نرده آلومینیومی لوله ای	
63	Square Aluminium Handrail System	سیستم نرده آلومینیومی مربعی	
64	Frameless System	سیستم فریم لس	
65	Glass Support Profiles	پروفیل های شیشه سکوریت	
66	AW110 System	وینتر گاردن	New Production
67	AFW135 System	وینتر گاردن	New Production
68	SES - D1	کاور پنجره های هوشمند	New Production
69	Automatic Door	درب اتوماتیک	
70	Louvre System	سیستم لوور	
71	Guillotine System	سیستم گیوتین جام	

سیستم های هوشمند | Smart systems

74	Hinden vent hinged Window	درب و پنجره ترمال بریک کشویی	TS143
75	Thermal Break Sliding Patio Door	پنجره کشویی معمولی ترمال بریک	TS115
76	Glass Roof System	سیستم سقف شیشه ای	New Production
77	Smart Louvre System	سیستم هوشمند لوور	

80	Thermal Break Caped Curtain Wall System	سیستم کرتین وال ترمال بریک کپ دار
81	Thermal Break Semi Caped Curtain Wall System	سیستم کرتین وال ترمال بریک نیم کپ
82	Modules System with Structural Glazing	سیستم کرتین وال فریم لس
83	65mm Steel Reinforced Facade System	سیستم کرتین وال تقویتی با فولاد ۶۵ میلیمتری
84	75mm Steel Reinforced Facade System	سیستم کرتین وال تقویتی با فولاد ۷۵ میلیمتری
85	Skylight Facade System	سیستم کرتین وال اسکای لایت
86	Structural Glazing System Install with Fix Piece	سیستم کرتین وال یو-چنل (نصب با لقمه فیکس)
87	Hidden Vent Curtain Wall System	سیستم کرتین وال نیم لامل لنگه مخفی
88	Hidden Vent Glazing Curtain Wall System	سیستم کرتین وال نیم لامل لنگه مخفی و یو - چنل
89	Structural Glazing 60mm Caped Curtain Wall System	سیستم کرتین وال کپ دار ۶۰ میلیمتری
90	6mm Ceramic Facade System	سیستم سرامیک نما ۶ میلیمتر (نصب با چسب)
91	Composite Panel System	سیستم ورق کامپوزیت
92	COTTAL Aluminum Cladding System	سیستم پوشش آلومینیومی



Hinged Systems

HINGED HINGED HINGED
D HINGED HINGED HINGED
SYSTEMS SYSTEMS SYSTEMS
HINGED HINGED HINGED
HINGED 14 HINGED
HINGED HINGED HINGED HINGED

HINGED SYSTEMS
HINGED HINGED HINGED
SYSTEMS SYSTEMS
HINGED HINGED HINGED
SYSTEMS SYSTEMS
HINGED HINGED HINGED HINGED
SYSTEMS SYSTEMS SYSTEMS

Hinged سیستم های لولایی Systems

Index Hinged Systems / فهرست سیستم لولایی

TH90 16	TH78 17	TH75H 18	TH75L 19	TH68 20	TH60 21	FTH60 22	TH55L 23
TH55 24	AH74 25	AH60 26	AH59 27	AH56 28	AH47 29	AH42 30	AH35 31

15



TH90

Hinged Door & Window
 Hidden vent Hinged Window
 Uf: 0.758 W(m2.k)

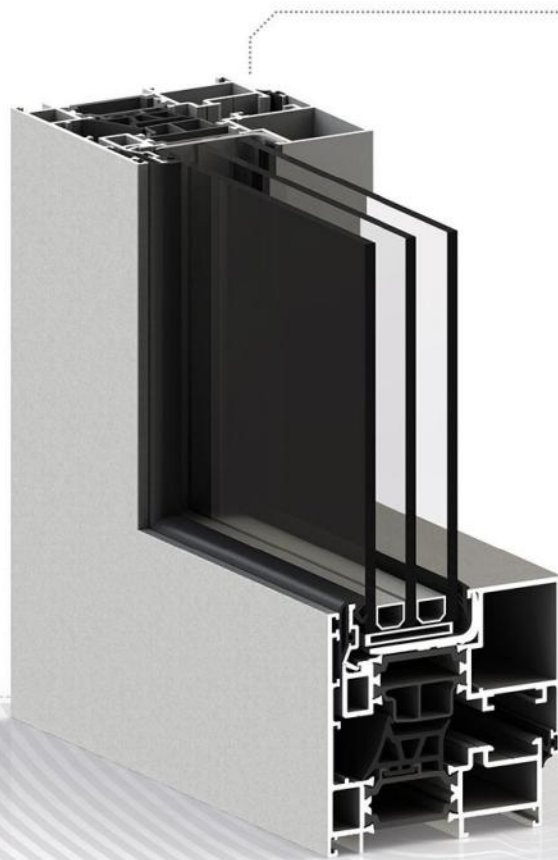
Thermal Break

System Specification

Possibility to install European fittings **EPDM identification and sealing gaskets**

Product code:	TH90
Frame width:	90 mm
Sash width:	96 mm
Wall thickness:	5.2 - 1.8 mm
Polyamide size:	45 mm
Thermal guidance with 33 mm glass:	Uf: 0.7w/m2k
Appearance:	Flat and smooth from the outside and inside
Type of corner fixture:	Riveted
Thickness of glass:	42 to 60 mm





TH78

Hinged Door & Window

Hidden vent Hinged Window

Uf: 1.83 W (m2.k)

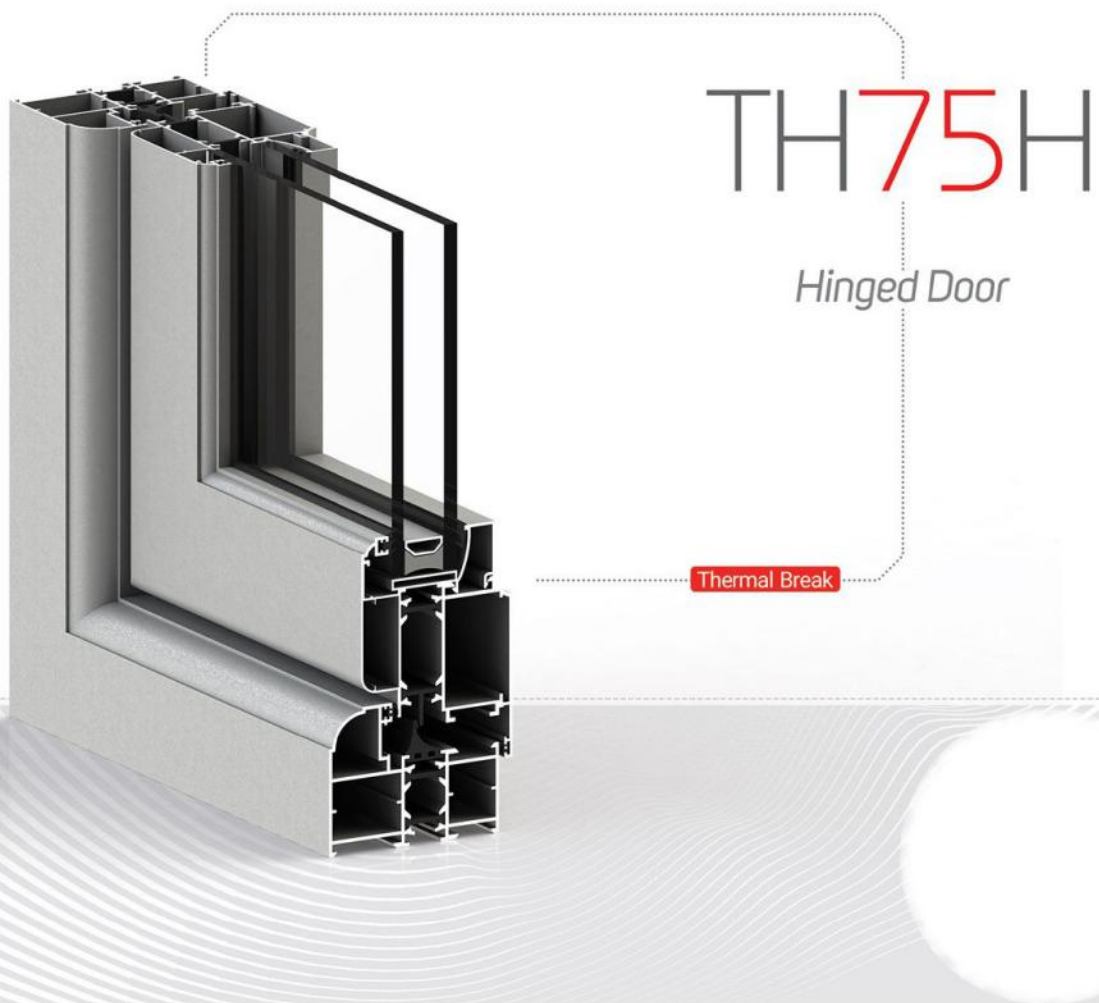
Thermal Break

System Specification

Possibility to install European fittings **EPDM identification and sealing gaskets**

Product code:	TH78
Frame width:	78 mm
Sash width:	85 mm
Wall thickness:	1.7 - 1.8 mm
Polyamide size:	34 mm
Thermal guidance with 33 mm glass:	Uf: 1.83w/m2k
Appearance:	Flat and smooth from the outside and inside
Type of corner fixture:	Riveted
Thickness of glass:	30 to 54 mm





System Specification

Possibility to install European fittings **EPDM identification and sealing gaskets**

Product code:	TH75H
Frame width:	75 -143 mm
Sash width:	66.6 mm
Wall thickness:	1.3 - 1.5mm
Polyamide size:	15 - 18 mm
Appearance:	Curved and arched from the outside and inside
Type of corner fixture:	Riveted
Thickness of glass:	6 to 38 mm





System Specification

Possibility to install European fittings **EPDM identification and sealing gaskets**

Product code:	TH75L
Frame width:	75 - 143 mm
Sash width:	66.6 mm
Wall thickness:	1.3 - 1.5mm
Polyamide size:	15 - 18 mm
Appearance:	Curved and arched from the outside and inside
Type of corner fixture:	Riveted
Thickness of glass:	6 to 38 mm





TH68

Hinged Door & Window

Hidden vent Hinged Window

Uf: 2.80 W(m2.k)

Thermal Break

System Specification

Possibility to install European fittings **EPDM identification and sealing gaskets**

Product code:	TH68
Frame width:	68 mm
Sash width:	75 mm
Wall thickness:	1.7-1.8 mm
Polyamide size:	24 mm
Thermal guidance with 30 mm glass:	Uf: 2.80w/m2k
Appearance:	Flat and smooth from the outside and inside
Type of corner fixture:	Riveted
Thickness of glass:	20 to 54 mm





TH60

Hinged Door & Window

Uf: 2.64 W(m2.k)

Thermal Break

System Specification

Ability to install UPVC - French fittings	Possibility to install European fittings	EPDM identification and sealing gaskets
Product code:		TH60
Frame width:		60 - 69.6 - 77.4 - 94 - 114.5 mm
Sash width:		65 mm
Wall thickness:		1.3 - 1.8 mm
Polyamide size:		15 - 24 mm
Thermal conductivity:		Uf: 2.64w/m2k
Appearance:		Curved and arched from the outside and inside
Type of corner fixture:		Riveted
Thickness of glass:		8 to 44 mm





System Specification

Ability to install UPVC - French fittings	Possibility to install European fittings	EPDM identification and sealing gaskets
Product code:	FTH60	
Frame width:	60 - 69.6 - 77.4 - 94 - 114.5 mm	
Sash width:	65 mm	
Wall thickness:	1.3 - 1.8 mm	
Polyamide size:	15 - 24 mm	
Thermal conductivity:	Uf: 2.64w/m2k	
Appearance:	Curved and arched from the outside and inside	
Type of corner fixture:	Riveted	
Thickness of glass:	8 to 44 mm	





System Specification

Possibility to install European fittings

EPDM identification and sealing gaskets

Product code:	TH55L
Frame width:	55 mm
Sash width:	64 mm
Wall thickness:	1.4 -1.5mm
Polyamide size:	Uf: 1.87w/m2k
Thermal conductivity:	20 mm
Appearance:	Flat and smooth profile of the exterior
Type of corner fixture:	Riveted
Thickness of glass:	24 mm





TH55

Hinged Door & Window

Thermal Break

Uf: 2.58 W(m2.k)

Thermal Break

System Specification

Possibility to install European fittings **EPDM identification and sealing gaskets**

Product code:	TH55
Frame width:	55 mm
Sash width:	62.3 mm
Wall thickness:	1.3 - 1.4 mm
Thermal conductivity:	Uf: 2.58w/m2k
Polyamide size:	24 mm
Appearance:	Flat and smooth profile of the exterior
Type of corner fixture:	Riveted
Thickness of glass:	6 to 42 mm





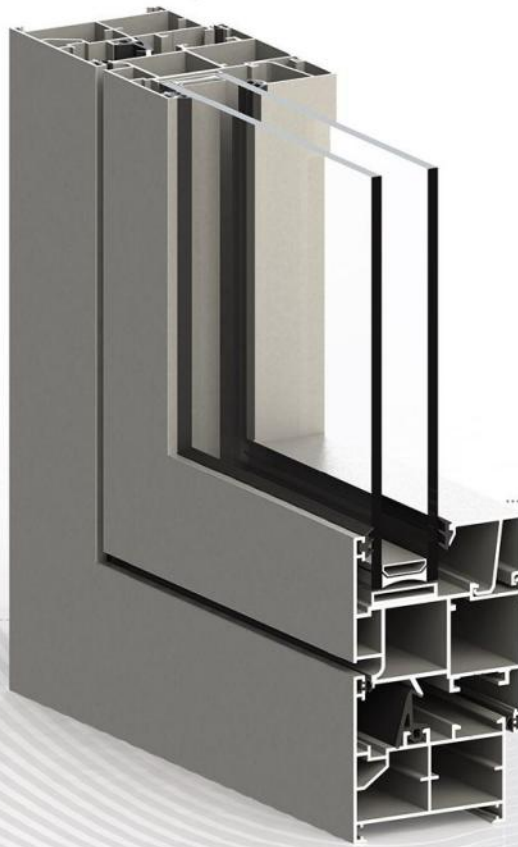
System Specification

Possibility to install European fittings **EPDM identification and sealing gaskets**

Product code:	AH74
Frame width:	45 - 74 mm
Sash width:	52 - 61 mm
Wall thickness:	1.3 mm
Thermal conductivity:	Uf: 6.2w/m2k
Appearance:	Curved and arched from the outside and inside - Flat and smooth from the outside and inside
Type of corner fixture:	Punch punches and Allen punches
Thickness of glass:	6 to 32 mm



New Production



AH60

Hinged Door & Window

Thermal Break

Uf: 2.64 W(m2.k)

System Specification

Possibility to install European fittings

EPDM identification and sealing gaskets

Product code:	AH60
Frame width:	60 - 69.6 - 77.4 - 94 - 114.5 mm
Sash width:	65 mm
Wall thickness:	1.3 - 1.8 mm
Polyamide size:	15 - 24 mm
Thermal conductivity:	Uf: 2.64w/m2k
Appearance:	Curved and arched from the outside and inside
Type of corner fixture:	Riveted
Thickness of glass:	8 to 44 mm



Turn

Tilt and Turn

Hidden vent

French

Parallel

Tilt and Slide

Pivot

Friction



System Specification

Possibility to install European fittings **EPDM identification and sealing gaskets**

Product code:	AH59
Frame width:	42 - 47 - 59 - 90 - 100 mm
Sash width:	44 - 51.1 mm
Wall thickness:	1.3 mm
Appearance:	Curved and arched from the outside and inside
Type of corner fixture:	Punch punches and Allen punches
Thickness of glass:	6 to 24 mm





AH56

Hinged Window

Uf: 6.2 W(m2.k)

System Specification

Possibility to install European fittings

EPDM identification and sealing gaskets

Product code:	AH56
Frame width:	45 - 56 - 74 mm
Sash width:	52.1 - 61 mm
Wall thickness:	1.3 mm
Thermal conductivity:	Uf: 6.2w/m2k
Appearance:	Curved and arched from the outside and inside - Flat and smooth from the outside and inside
Type of corner fixture:	Punch punches and Allen punches
Thickness of glass:	6 to 32 mm





AH47

Hinged Window

System Specification

Possibility to install European fittings **EPDM identification and sealing gaskets**

Product code:	AH47
Frame width:	42 - 47 - 59 - 90 - 100 mm
Sash width:	44 - 51.1 mm
Wall thickness:	1.3 mm
Glass thickness:	6 to 24 mm
Appearance:	Curved and arched from the outside and inside
Type of corner fixture:	Punch punches and Allen punches
Thickness of glass:	6 to 24 mm

Type OF opening

- Turn
- Tilt and Turn**
- Hidden vent
- French
- Parallel
- Tilt and Slide
- Pivot
- Friction



AH42

Hinged Door & Window

System Specification

Possibility to install European fittings **EPDM identification and sealing gaskets**

Product code:	AH42
Frame width:	42 - 47 - 59 - 90 - 100 mm
Sash width:	44 - 51.1 mm
Wall thickness:	1.3 mm
Glass thickness:	6 to 24 mm
Appearance:	Curved and arched from the outside and inside
Type of corner fixture:	Punch punches and Allen punches
Thickness of glass:	6 to 24 mm

Type OF opening

- Turn
- Tilt and Turn**
- Hidden vent
- French
- Parallel
- Tilt and Slide
- Pivot
- Friction

New Production

Outdoor Handrail

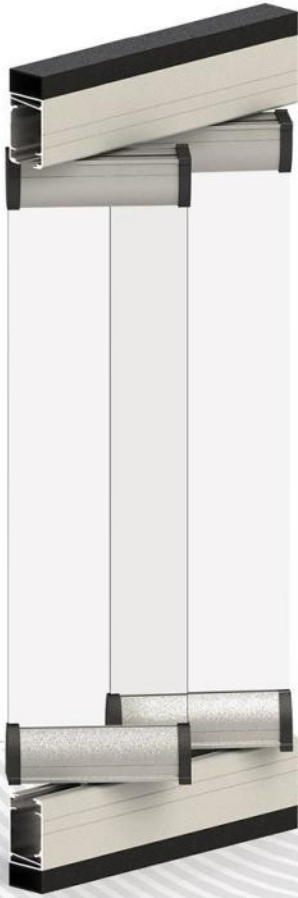
Lighting



System Specification

EPDM identification and sealing gaskets

Frame width:	110 mm
Sash width:	24.5 mm
Wall thickness:	1.5 - 1.8 mm
Thickness of glass:	10 to 20 mm
Appearance:	Flat and smooth from the outside and inside
Type of corner fixture:	Plastic corner

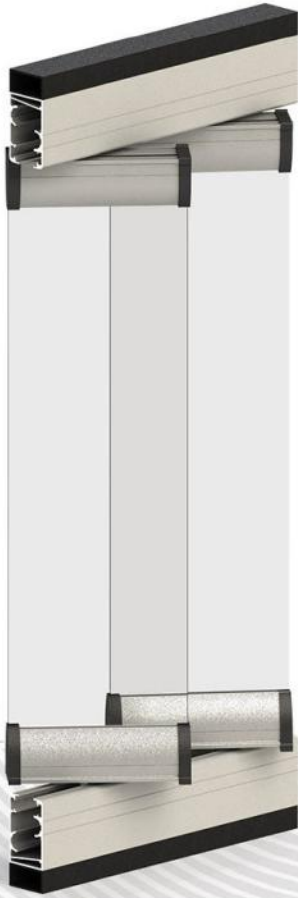


Glass Balustrade System

System Specification

EPDM identification and sealing gaskets

Product Name:	Glass Balustrade System
Size of frame width :	39 mm
The width of the sash :	35 - 40 mm
Wall thickness :	1.3 mm
Glass thickness :	8 mm
Appearance :	flat and smooth
Open type :	rail



New Production

Glass Balustrade System

System Specification

EPDM identification and sealing gaskets

Product Name:	Glass Balustrade System
Size of frame width :	39 mm
The width of the sash :	35 - 40 mm
Wall thickness :	1.3 mm
Glass thickness :	8 mm
Appearance :	flat and smooth
Open type :	rail

Roll-up Door System



System Specification

EPDM identification and sealing gaskets

Product Name:	Roll - up Door System
Rail width :	60 - 120 mm
The size of the blades :	according to different working conditions
Wall thickness :	1.1 - 1.7 m
Appearance :	mesh



Grid System

System Specification

EPDM identification and sealing gaskets

Product Name:	Grid System
Size of frame width :	40 m
The size of the width of the blade :	9.3 mm
Lace type :	hook clip

New Production



Sliding Fly System



System Specification

EPDM identification and sealing gaskets

Product Name : Sliding Grid System

type : Remote control



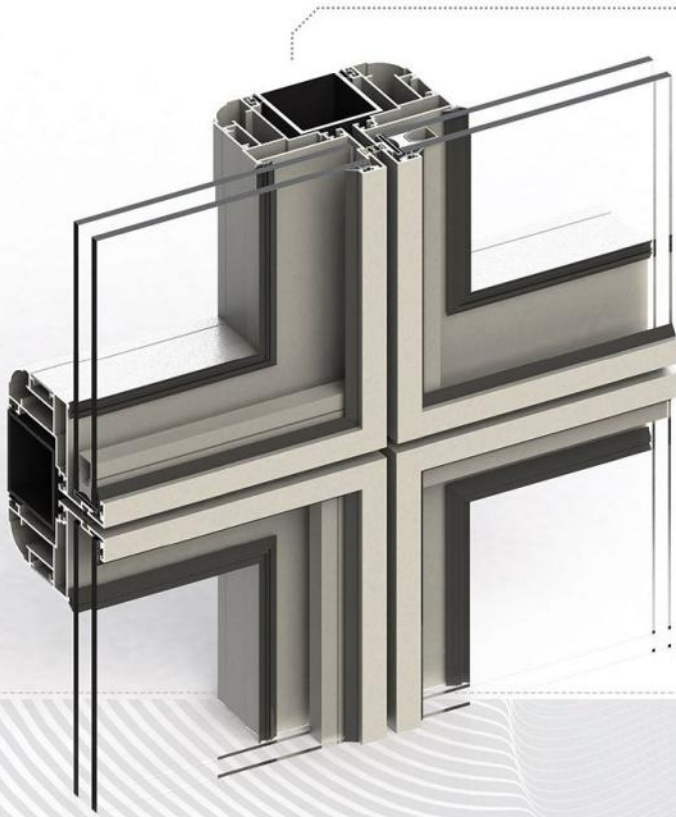
Handrail

Pipe Aluminium Handrail System

System Specification

EPDM identification and sealing gaskets

Product Name:	Pipe Aluminium Handrail System
The smallest diameter :	15.8 m
The largest diameter :	50 m
Minimum thickness :	1.2 m
Maximum thickness :	4.9 m



Frameless System

System Specification

EPDM identification and sealing gaskets

Product Name:	Frameless System
The width of the single-wall frame :	45 m
The size of the width of the double - glazed frame :	50 m
The size of the width of the ledge :	58 m
Wall thickness :	1.3 m
Glass thickness :	10 - 18
Appearance :	round
Open Type :	Cardi

Glass Support Profiles

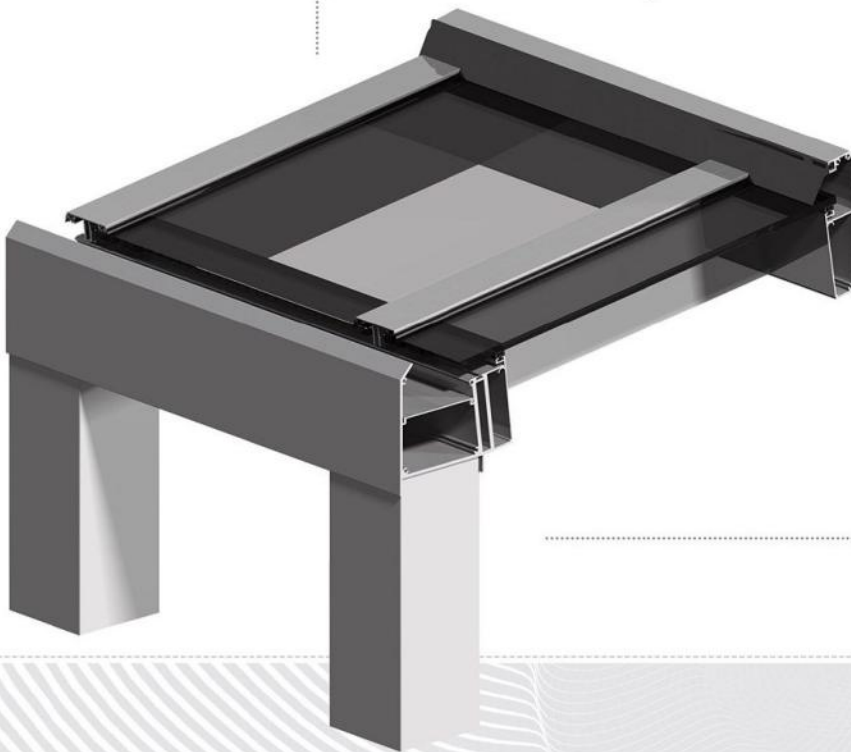


System Specification

EPDM identification and sealing gaskets

Product Name:	Tempered glass profiles
Frame width:	37 to 95 meters
Glass size :	10 meters

New Production



AW110

System

System Specification

✓ Carrier Reinforcement ✓ Gutter Reinforcement

Product code:	AW110
Pole Profile Width:	110 mm
Gutter profile Width:	155.2 mm
Glazing Carrier Profile Width:	60.3*112.2 mm
Profile Wall Thickness:	1.4 - 5 mm
Max. veranda Depth:	4000 mm
Max. Distance Between Pole Profiles:	7000 mm
Max. Veranda Back Height:	2800 mm
Max. Veranda Front Height:	2400 mm

New Production

AFW135

System



System Specification

There are no limits on the width

Maximum Projection is 6500 mm

Front over-hang available 300 mm to 1000 mm

LED Rafter Lighting

Heating

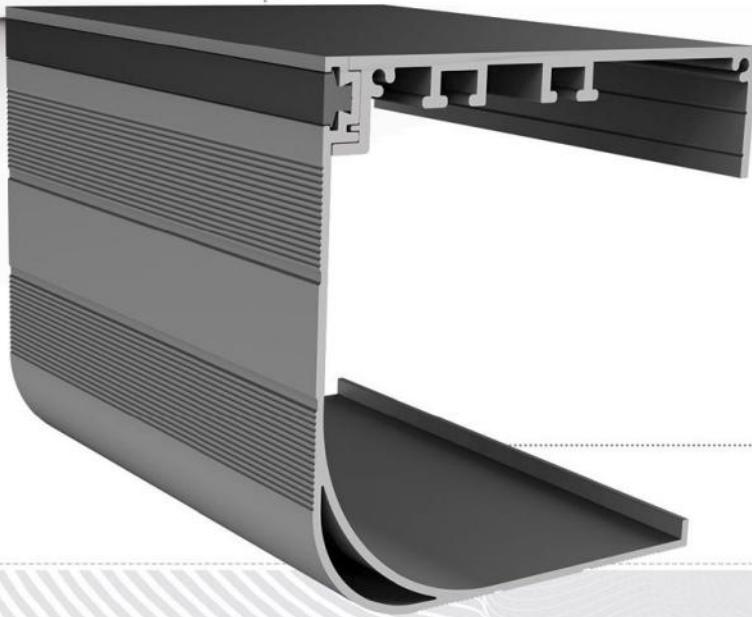
Glass Sliding Doors

Fixed Glazing Walls

New Production

SES - D1

System



System Specification

There are no limits on the width

Competitive price.

Easy installation

Ability to connect for all sliding systems (before and after installation)

Easy maintenance



Louvre

System

System Specification

EPDM identification and sealing gaskets

Product Name :	Louvre
Frame width :	200 x 111.5 mm
Type of profile :	rectangular - oval - louvre



Guillotine System

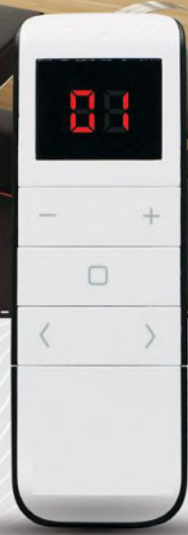
System Specification

EPDM identification and sealing gaskets

Frame width:	110 mm
Sash width:	24.5 mm
Wall thickness:	1.5 - 1.8 mm
Thickness of glass:	10 to 20 mm
Appearance:	Flat and smooth from the outside and inside
Type of corner fixture:	Plastic corner



Smart Systems



SMART
SYSTEMS

Smart

SMART SMART

SMART SMART SMART SMART
SYSTEMS SYSTEMS SYSTEMS

SMART SMART SMART SMART SMART

SMART SMART
SYSTEMS SYSTEMS

Smart 72
SMART SMART SMART SMART

Smart Production

TS143

Sliding Door & Window

Lift & Slide

Uf: 3.2 W(m2.k)



System Specification

Possibility to install European fittings

EPDM identification and sealing gaskets

Product code:	TS143
Frame width:	143 mm
Sash width:	70 mm
Wall thickness:	2 - 2.2 mm
Glass thickness:	28 to 52 mm
Polyamide size:	18 - 24 - 38 mm
Thermal conductivity:	Uf: 3.2w/m2k
Appearance:	Flat and smooth from the outside and inside
Type of corner fixture:	Riveted
Possibility to install European fittings:	Lift and slide 300- 400 kg





AI & Smart Homes

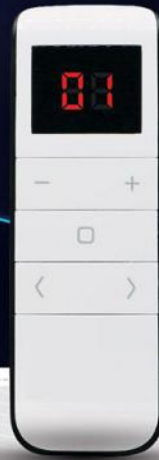
Smart Production

TS115

Sliding Window

Thermal Break Normal

Uf: 3.6 - 4.4 W (m2.k)



System Specification

Possibility to install European fittings

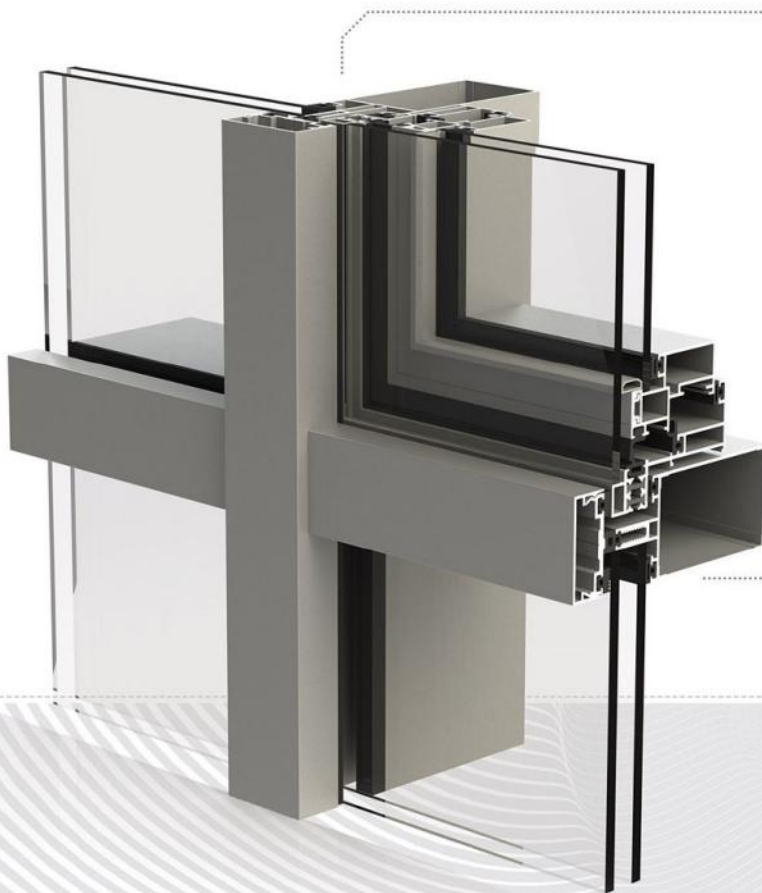
EPDM identification and sealing gaskets

Product code:	TS115
Frame width:	115 mm
Sash width:	45 mm
Wall thickness:	1.5 - 1.7 mm
Glass thickness:	24 mm
Polyamide size:	12 - 16 - 24 mm
Thermal conductivity:	Uf:3.6-4.4w/m2k
Appearance:	Flat and smooth from the outside and inside
Type of corner fixture:	Punch punches and Allen punches in the frame
Possibility to install European fittings:	Lift and slide 200 kg

Type OF opening

lift and slide Short Frame Normal Opening Normal Sliding

70 kg on Sash 80 kg on Sash 100 kg on Sash



Curtain Wall

Caped

Uf: 4.60 W(m2.k)

Thermal Break

System Specification

EPDM identification and sealing gaskets

Maximum height of Mullion:	180 mm
Minimum height of Mullion:	50 mm
Maximum height of Transom:	162 mm
Minimum height of Transom:	35 mm
Width of Mullion and Transom:	50 & 51 mm
Wall thickness:	1.5 - 2.5 mm
Glass thickness:	6 to 50 mm
Thermal Conductivity:	Uf: 4.60 w/m2k





Curtain Wall

Semi Caped

Uf: 4.60 W(m2.k)

Thermal Break

System Specification

EPDM identification and sealing gaskets

Maximum height of Mullion:	180 mm
Minimum height of Mullion:	50 mm
Maximum height of Transom:	162 mm
Minimum height of Transom:	35 mm
Width of Mullion and Transom:	50 & 51 mm
Wall thickness:	1.5 - 2.5 mm
Glass thickness:	6 to 50 mm
Thermal Conductivity:	Uf: 4.60 w/m2k



Turn

Tilt and Turn

Hidden vent

French

Parallel

Tilt and Slide

Pivot

Friction



Modules System

with Structural Glazing

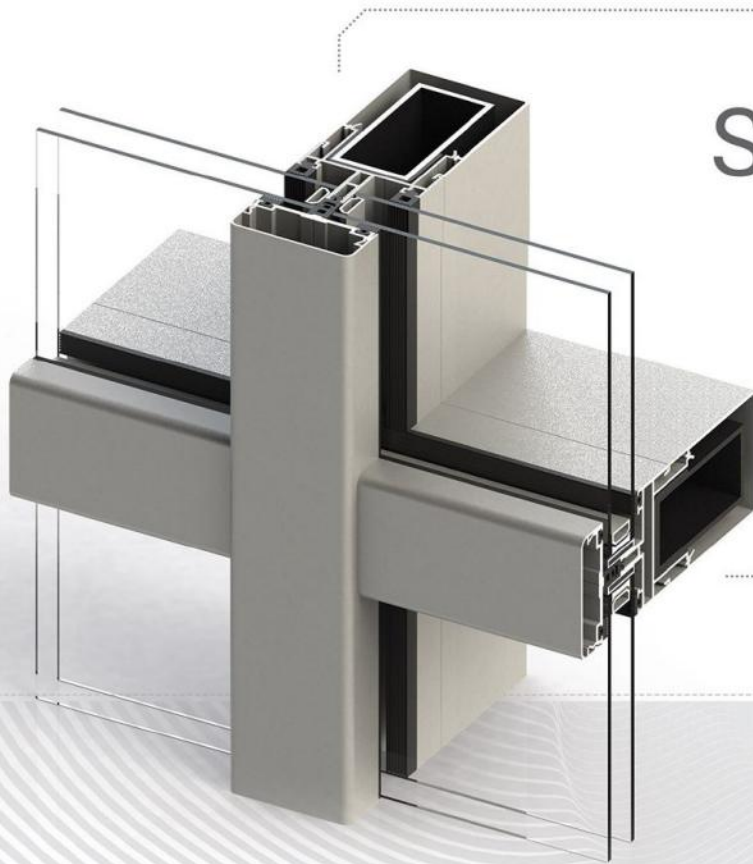
Uf: 4.45 W(m2.k)

System Specification

EPDM identification and sealing gaskets

Maximum height of Mullion:	180 mm
Minimum height of Mullion:	50 mm
Maximum height of Transom:	162 mm
Minimum height of Transom:	35 mm
Width of Mullion and Transom:	50 & 51 mm
Wall thickness:	1.5 - 2.5 mm
Glass thickness:	6 to 30 mm
Thermal Conductivity:	Uf: 4.45 w/m2k





Steel Reinforced

65mm
Facade System

System Specification

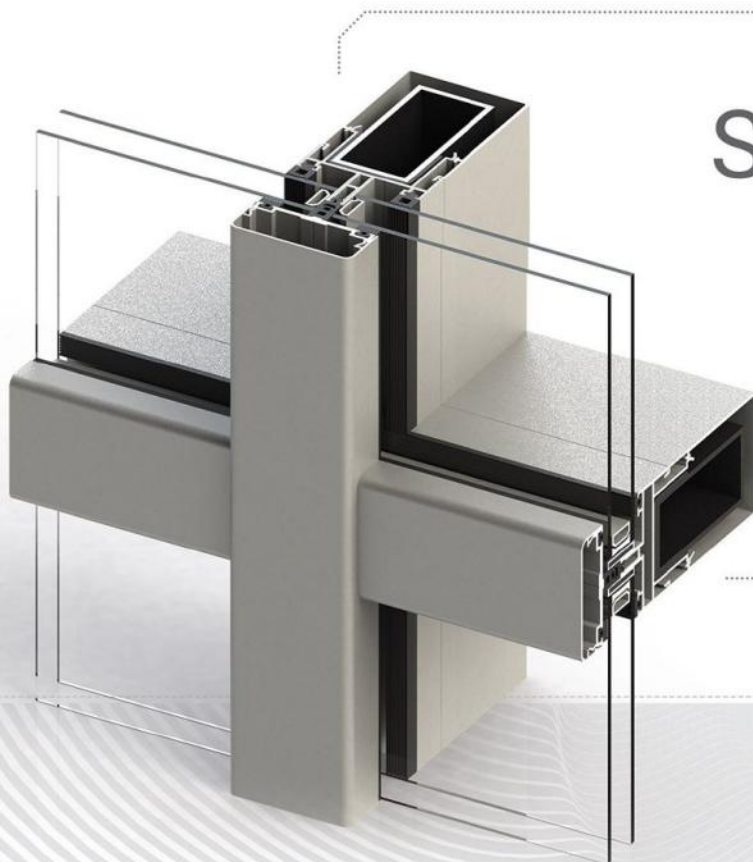
EPDM identification and sealing gaskets

Maximum height of Mullion:	162 mm
Minimum height of Mullion:	62 mm
Maximum height of Transom:	168 mm
Minimum height of Transom:	68 mm
Width of Mullion and Transom:	65 mm
Wall thickness:	1.5 - 2.5 mm
Glass thickness:	6 to 40 mm



Steel Reinforced

75mm
Facade System



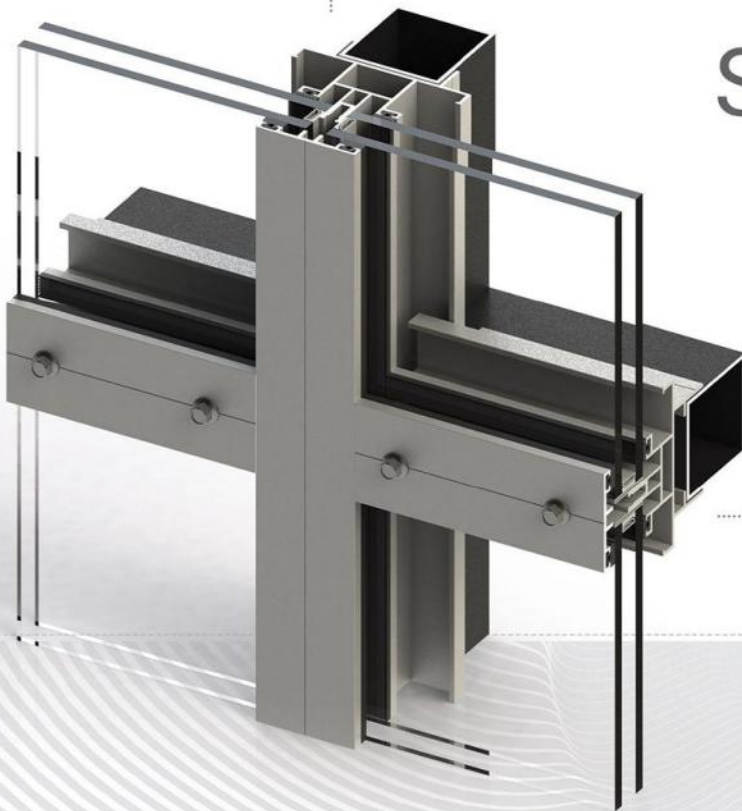
System Specification

EPDM identification and sealing gaskets

Mullion height:	162 mm
Maximum height of Transom:	168 mm
Minimum height of Transom:	68 mm
Mullion width:	75 mm
Transom width:	65 mm
Wall thickness:	1.5 - 2.5 mm
Glass thickness:	6 to 40 mm



Skylight Facade



System Specification

EPDM identification and sealing gaskets

Width of Mullion and Transom:	85 mm
Face of outer profile:	Full glass and U-channel
Aluminium Cap:	50 mm
Size of metal Structure:	50 mm
Wall thickness:	2 mm
Glass thickness:	6 to 40 mm
Type of opening:	Skylight outside opening



Turn

Tilt and Turn

Hidden vent

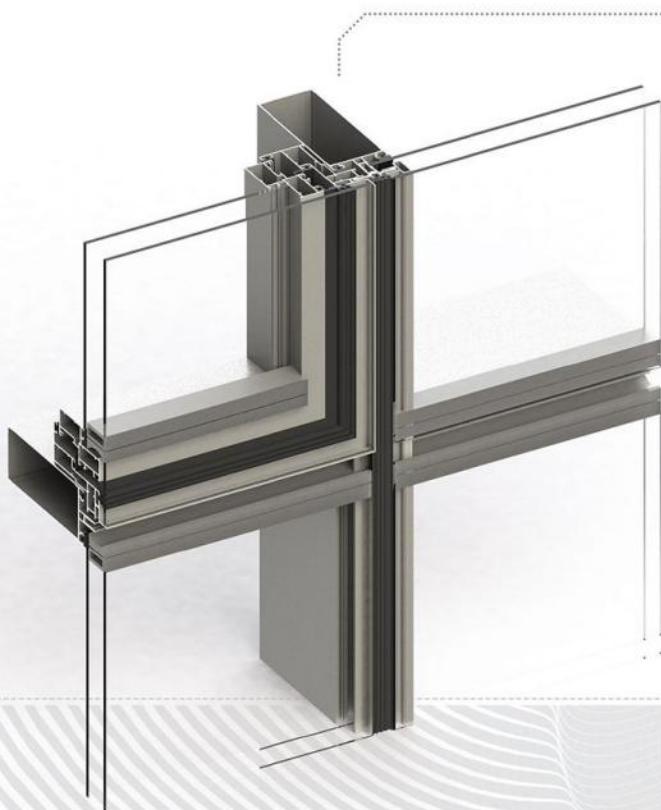
French

Parallel

Tilt and Slide

Pivot

Friction



Structural Glazing

Install with Fix and Sliding Piece

Uf: **2.84** W(m2.k)

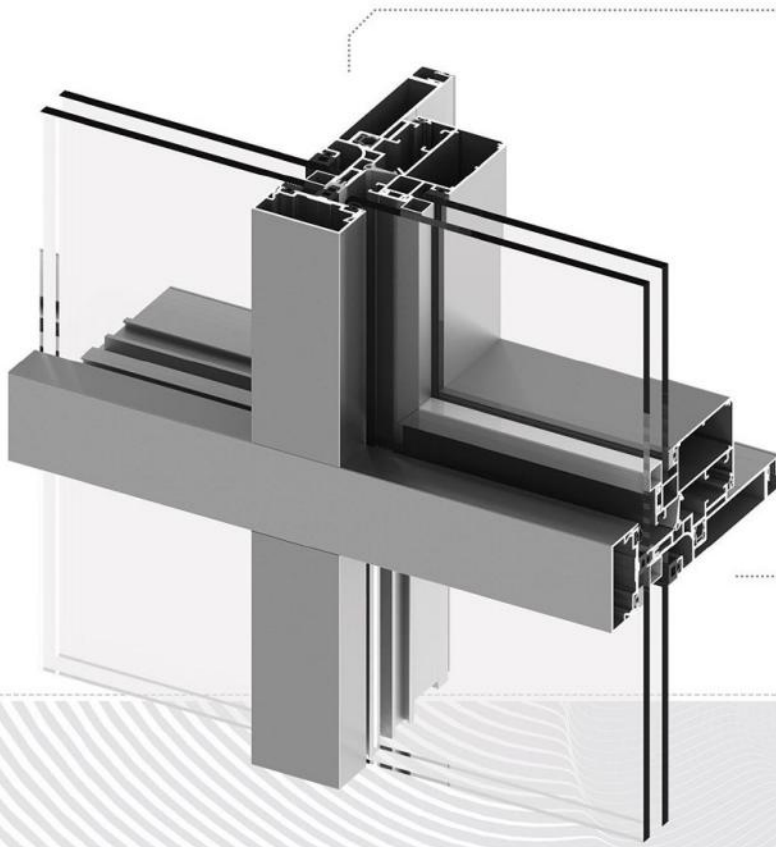
System Specification

EPDM identification and sealing gaskets

Maximum height of Mullion:	180 mm
Minimum height of Mullion:	100 mm
Maximum height of Transom:	162 mm
Minimum height of Transom:	80 mm
Width of Mullion and Transom:	50 - 51 mm
Wall thickness:	1.5 - 2.5 mm
Glass thickness:	6 to 50 mm
Thermal conductivity:	Uf: 2.84w/m2k



- Turn
- Tilt and Turn
- Hidden vent
- French**
- Parallel
- Tilt and Slide
- Pivot
- Friction



Curtain Wall

Hidden Vent

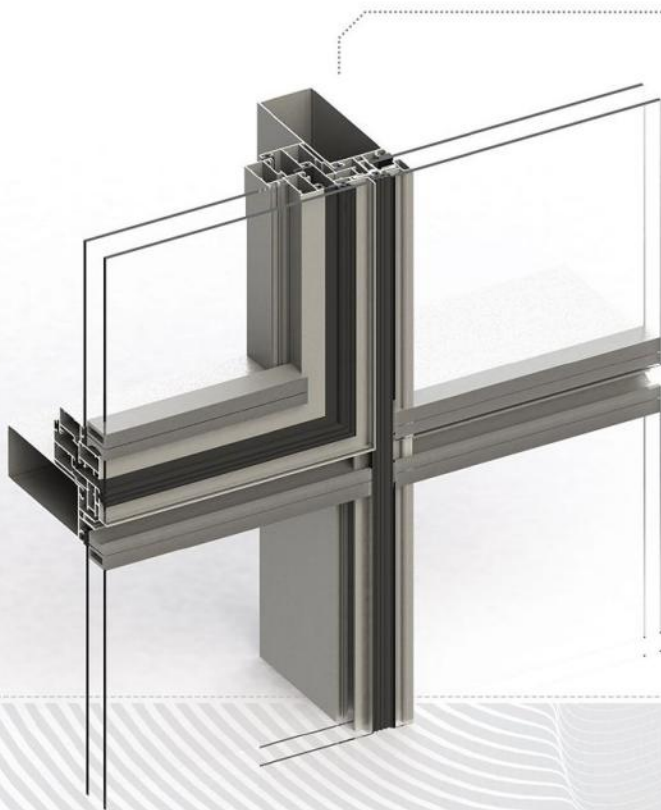
Uf: 2.84 W(m2.k)

System Specification

EPDM identification and sealing gaskets

Maximum height of Mullion:	180 mm
Minimum height of Mullion:	100 mm
Maximum height of Transom:	162 mm
Minimum height of Transom:	80 mm
Width of Mullion and Transom:	50 & 51 mm
Width of Mullion and Transom on opening:	20 mm
Wall thickness:	1.5 - 2.5 mm
Glass thickness:	6 to 50 mm
Thermal Conductivity:	Uf: 2.84 w/m2k





Curtain Wall

Hidden Vent Glazing

Uf: 2.84 W(m2.k)

System Specification

EPDM identification and sealing gaskets

Maximum height of Mullion:	180 mm
Minimum height of Mullion:	100 mm
Maximum height of Transom:	162 mm
Minimum height of Transom:	80 mm
Width of Mullion and Transom:	50 - 51 mm
Wall thickness:	1.5 - 2.5 mm
Glass thickness:	6 to 50 mm
Thermal conductivity:	Uf: 2.84w/m2k





Structural Glazing

60mm Caped

$U_{cw} = 1.8 \text{ w/m}^2\text{k}$

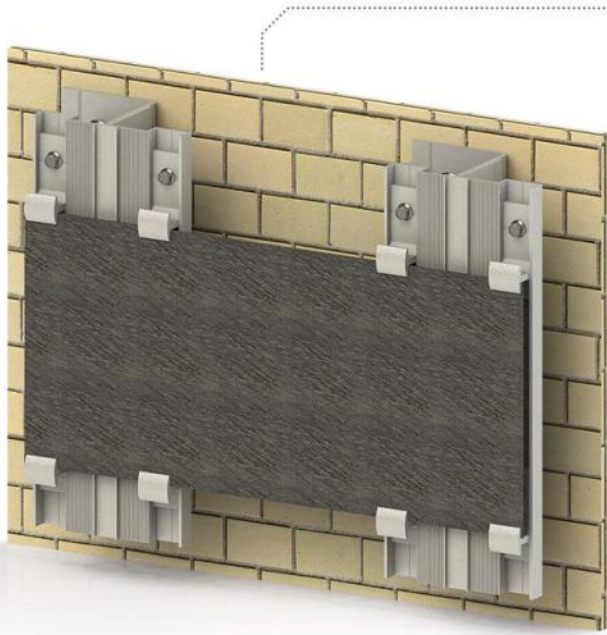
System Specification

Possibility of installing mullion and transom of one type of profile

EPDM identification and sealing gaskets

Biggest size of Mullion and Transom:	149.8 mm
inner and outer size of Profile:	60 mm
Wall thickness:	2.8 - 3.2 mm
Glass thickness:	27.5 to 50 mm
Thermal Conductivity:	$U_{cw} = 1.8 \text{ w/m}^2\text{k}$





Facade System

6mm Ceramic

System Specification

Possibility of installing million and transom of one type of profile

EPDM identification and sealing gaskets

Characteristics Al 6063 T5

Specific Gravity:	2.700 kg/m ³
Coefficient of Thermal Expansion from 20 to 100 °C:	23,6 x 10 ⁻⁶ K ⁻¹
Modulus of elasticity:	69.500 N/mm ²
Poisson Coefficient:	0,33
Tensile Resistance:	215 N/mm
Shear Resistance:	140 N/mm ²
Yield stress (Rp 0,2%):	160 N/mm
Elongation (L0-mm):	12%
Elongation (L50-mm):	14%
Brinell Hardness: 70	70

Characteristics AISI 304

Specific Gravity:	7.930 kg/m ³
Coefficient of Thermal Expansion from 20 to 100 °C:	17,3 x 10 ⁻⁶ K ⁻¹
Modulus of elasticity:	190.000 N/mm ²
Poisson Coefficient:	0,33
Tensile Resistance:	540-750 N/mm
Yield stress (Rp 0,2%):	≥ 230 N/mm
Elongation (L0-mm):	<45%
Brinell Hardness:	183



Turn

Tilt and Turn

Hidden vent

French

Parallel

Tilt and Slide

Pivot

Friction



Composite Panel

Systems

System Specification

EPDM identification and sealing gaskets

Possibility of installation with T and U shaped aluminum Mullions

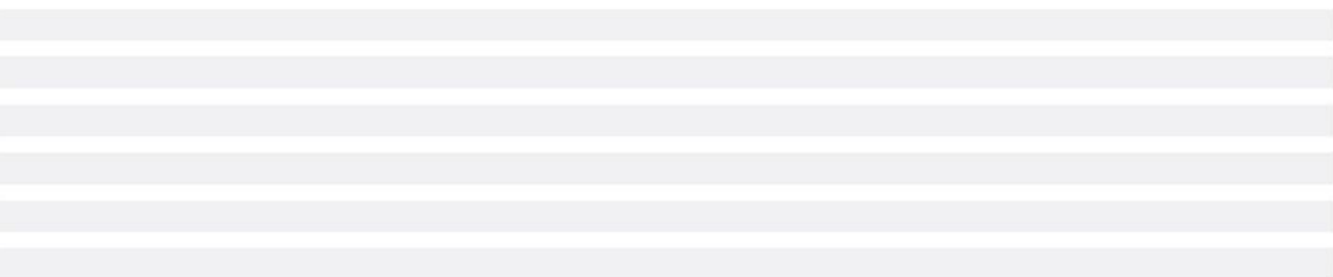
Application of **EPDM** rubber in the joint point

Resistance to building vibrations and static stresses to the facade

More durability and corrosion resistance

Possibility of replacing panels in different cases

Installation of joints with bolts and the possibility of estimating the engineering of the substructure



Turn

Tilt and Turn

Hidden vent

French

Parallel

Tilt and Slide

Pivot

Friction

Door and Window Assembly Machines Sales Department



Dedicated Accessories Sales Department

